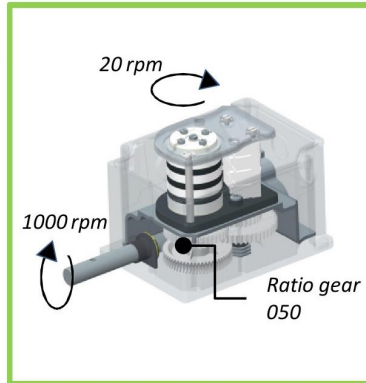


# Limit switches

# Rotary Gear – product description

LIMIT SWITCHES

## Ratio



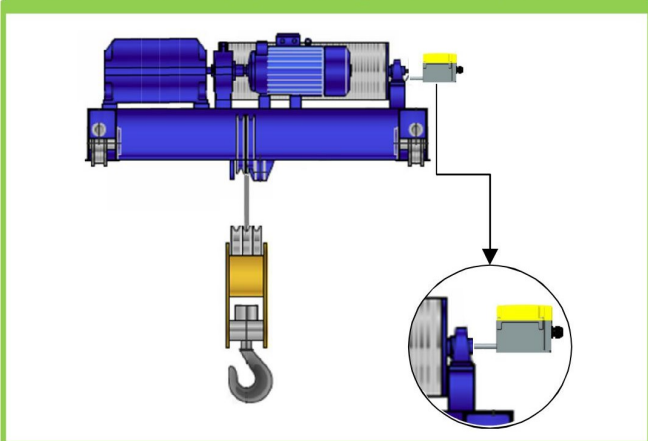
## Potentiometer & Encoder

In addition to the microswitch :

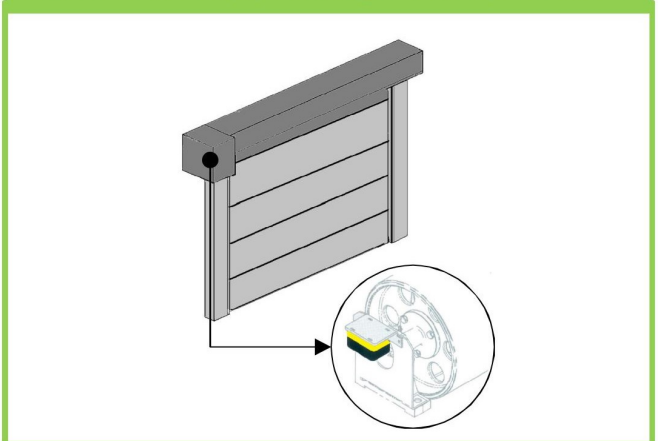
- FGR1 line: available with potentiometer (direct ratio 1:1)
- FGR3 line: available with potentiometer or encoder having: direct ratio 1:1 or ratio 1:X (X=cam block ratio)

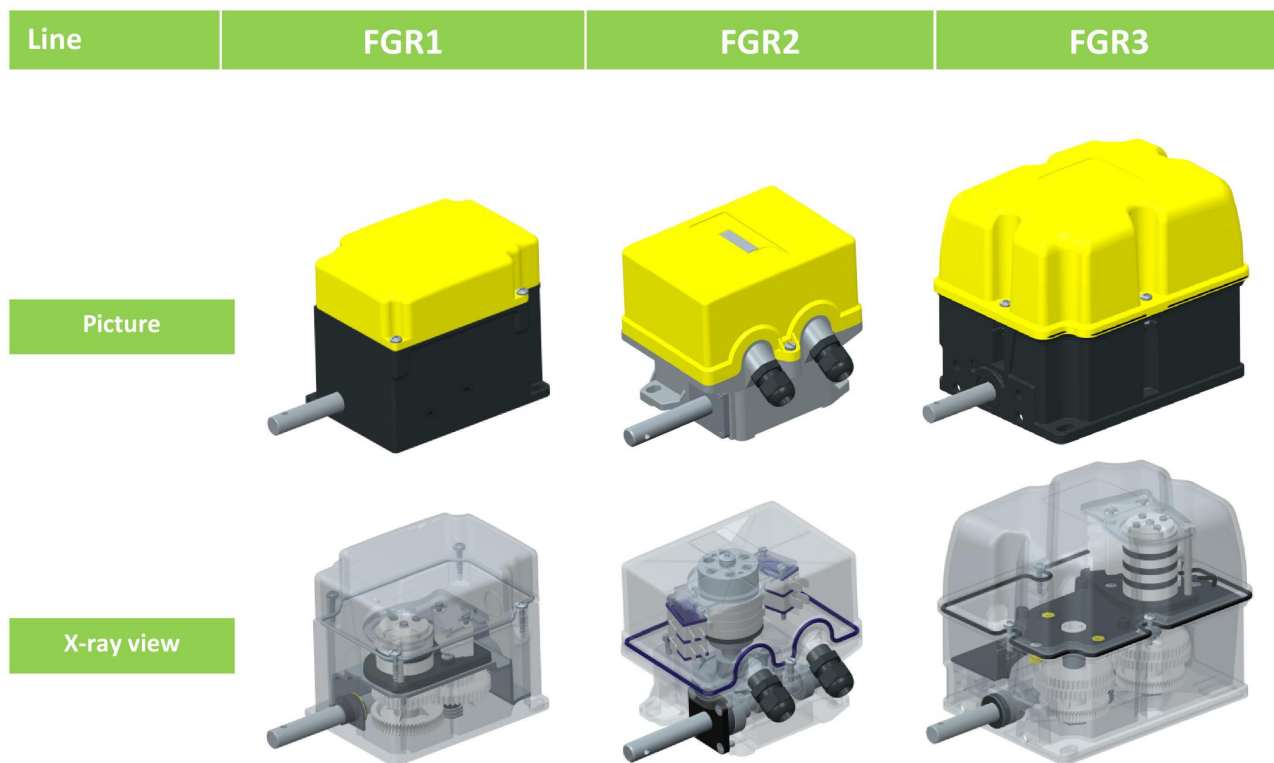


Picture shows a FGR1/2/3 working on a crane system




Picture shows a FGR1/2/3 working on a rolling shutter door





LIMIT SWITCHES

Characteristics			
Case	thermoplastic glass fiber reinforced	aluminium housing self extinguishing cover V0 UL94	thermoplastic glass fiber reinforced
Main / cam shaft ratio	012-033-050-075-100-150-200-400	012-033-050-100-200	1:8 to 1:460
Protection class	IP65	IP65	IP66
Shaft type	- steel - coaxial shaft version available	- steel mounted on ball bearing - coaxial shaft version available	- AISI 304 stainless steel mounted on ball bearing - coaxial shaft version available
Fixing type	- bottom - front (flanged version)	- bottom - front with FLG accessories	bottom (different metal plate available)
Microswitch	8A – 250V – silver plated IEC/EN61058-1 / UL1054 1NC-1NO changeover fast trigger positive opening  markings 	8A - 250V – silver plated IEC/EN61058-1 / UL1054 1NC-1NO changeover fast trigger positive opening  markings 	8A – 250V – silver plated IEC/EN61058-1 / UL1054 1NC-1NO changeover fast trigger positive opening  markings 
Microswitch max n° / notes	max 4 - micrometric adjustment roller lever control (long life)	max 6 - micrometric adjustment	max 4 - micrometric adjustment roller lever control (long life)
Cam block	self-lubricating with transparent support for easier cam viewing	self-lubricating with transparent support for easier cam viewing	self-lubricating with transparent support for easier cam viewing
Cable entry	M20 or M16 (max 4)	M20 (max 2)	M20 (max 3)
Options	- N° 5 different cam shapes - potentiometer (direct ratio 1:1)	N° 3 different cam shapes	- N° 5 different cam shapes - potentiometer or encoder (direct ratio 1:1 or 1:X)

